



## Main Features:-

- ◆ Screwed BSPP, Reduced Bore
- ◆ 10056- T Port, 10057- L Port
- ◆ Nickel Plated Body
- ◆ Red Lever Operated
- ◆ See Datasheet for Temperature and Pressure

\*Temperature and pressure determined by valve body, seat etc.

## Suitable Applications & Approvals:



INDUSTRY

## SERIES: 10056/10057

MANUFACTURER: **AVOL**  
INDUSTRIAL VALVES



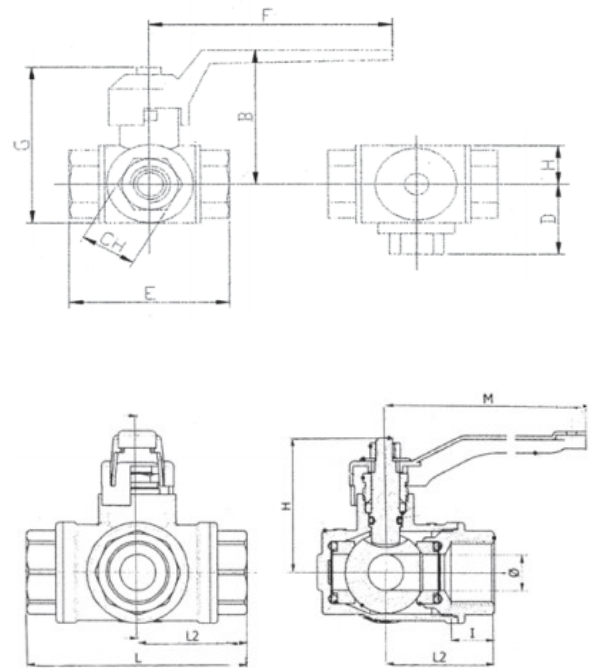
### Name Materials

Body	Nickel Plated Brass
Ball	Chrome Plated Brass
Seat	PTFE
Stem	Brass
Stem O'Ring	NBR
Handle	Aluminium

VALVE DIMENSIONS

Size	B	D	E	F	G	H	CH	Kg
1/4"	65	38.5	77	125	75	22	22	0.74
3/8"	65	38.5	77	125	75	22	22	0.68
1/2"	65	38.5	77	125	75	22	27	0.67
3/4"	83	46	92	145	91	25	34	1.13
1"	96	52	104	170	105	30	41	1.7
1 1/4"	102	59	118	170	115	34	50	2.3
1 1/2"	109	69	138	170	128	40	57	3.7
2"	139	81	162	260	165	48	70	6

Size	L	L2	Ø	I	H	M	Kg
2 1/2"	194	97	50	35	124	240	6.8



### Temperature

### Pressure

1/4" & 3/8"	PN55	1/4" to 2"	-10°C to 120°C
1/2" & 3/4"	PN50	2 1/2"	-15°C to 100°C
1"	PN45		
1 1/4" to 2"	PN35		

### ALL VALVES ONLINE

Offering a full range of actuated valve packages, manual valve range, pipe fittings and pumps, we have a product for all your requirements. As an ISO 9001-2015 Quality Approved and certified company, All Valves offer a quality service from pre-sale to post sale.



T +44 (0)1386 552369

E sales@allvalves.co.uk

W www.allvalves.co.uk

F +44 (0)1386 554227

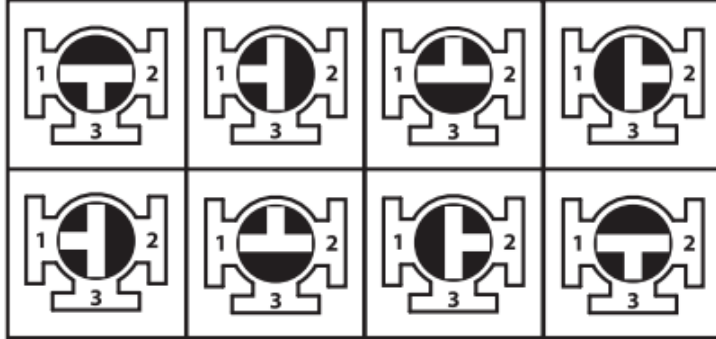


AVOL valves are our range of industrial valves selected by our experienced technical sales team.

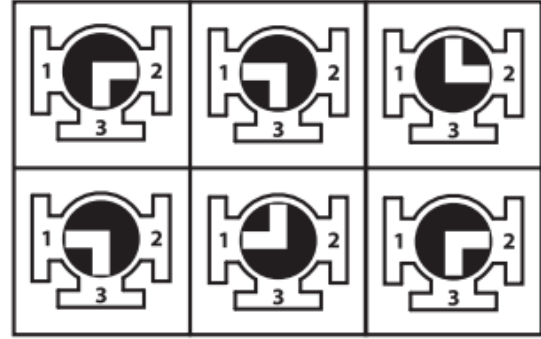
**SERIES: 10056/10057**

## Configurations

**T-Port Configuration**



**L-Port Configuration**



VALVE DIMENSIONS



**T** +44 (0)1386 552369

**E** sales@allvalves.co.uk

**W** www.allvalves.co.uk

**F** +44 (0)1386 554227